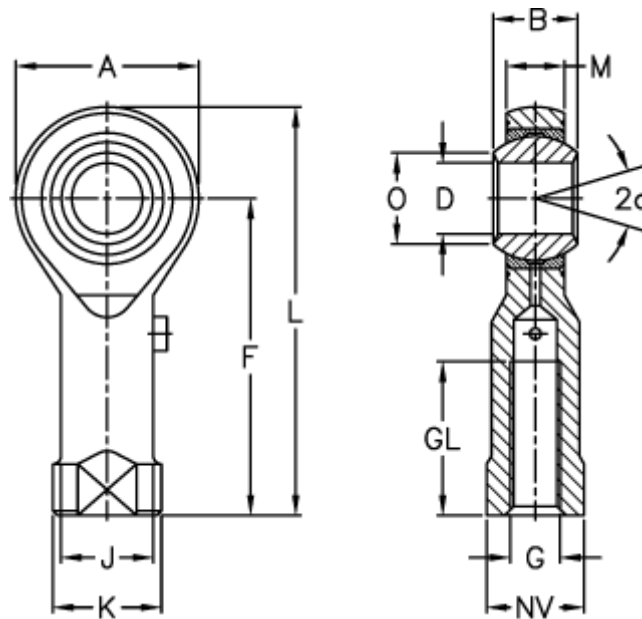


Article number: 03205012

Description: Fluro Rod End GILXS 12
Zinc Plated with left-handed thread

Measures



| | | | | |
|---------------------|--------|---------------------|--------|------------------|
| A | = 32 | J | = 17.5 | Weight (g) = 115 |
| a (degrees) | = 13 | K | = 22 | |
| B | = 16 | L | = 66 | |
| D | = 12 | M | = 12 | |
| Dynamic load C (kN) | = 13.3 | NV | = 19 | |
| F | = 50 | O | = 15.4 | |
| G | = M12 | Permissible rpm | = 860 | |
| GL | = 22 | Static load C0 (kN) | = 42 | |